

MOOVI

Electromechanical operator for road barriers, with boom length up to 5 m



New design

Safe, efficient and reliable

Fast release by means of a personalised key

Control panel incorporated

Quick-opening version also available
(MOOVI 30S)

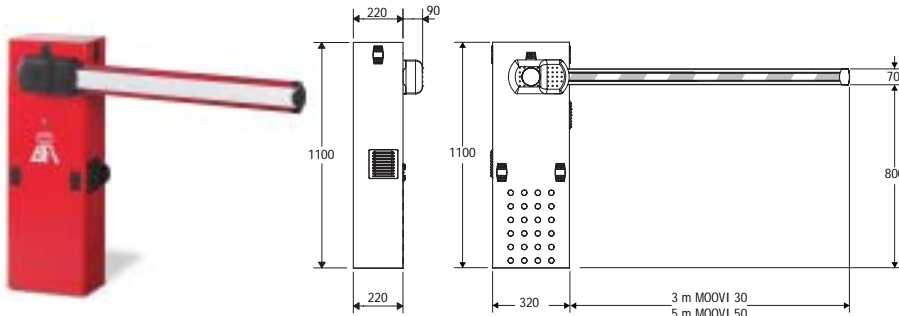
Slow down on opening and closing
(Mod. MOOVI 30S and MOOVI 30/50 RMM)

Galvanized and painted casing



MOOVI

Electromechanical operator for road barriers, with boom length up to 5 m



- **Safe, efficient and reliable**, the MOOVI electromechanical barrier for intensive use is suitable for closing off private areas and car parks.
- Compact and self-cooling MOOVI is provided with **fast release by means of a personalised key** in case of emergency.
- **Control panel incorporated**, MOOVI is available in medium and high-speed versions in relation to its boom length
- **Slowdown during opening and closing** (Mod. MOOVI 30S et MOOVI 30/50 RMM)
- Highly corrosion-resistant frame ready for fitting with accessories.
- **New design and wide range of accessories.**
- Galvanized and painted casing

Technical features

Operators	MOOVI 30	MOOVI 50
Single-phase power supply	230V~ ± 10%, 50 Hz	230V~ ± 10%, 50 Hz
Absorbed power	300W	300W
Thermal protection	integrated	integrated
Max leaf length	3 m	5 m
Opening/closing time	4 s	8 s
Type of lock	mechanical closing/opening	mechanical closing/opening
Manual manoeuvre	fast release by means of a personalised key	fast release by means of a personalised key
Type of limit switches	electric, incorporated, adjustable	electric, incorporated, adjustable
Control unit	MIZAR BOM	MIZAR BOM
Environmental conditions	-10°C à +55°C	-10°C à +55°C
Degree of protection	IP 24	IP 24
Operator weight without the rod	360N (~36 kg)	360N (~36 kg)
Dimensions	See drawing	See drawing

Operators	MOOVI 30S	MOOVI 30/50 RMM
Single-phase power supply	230V~ ± 10%, 50 Hz	230V~ ± 10%, 50 Hz
Absorbed power	300W	300W
Thermal protection	integrated	integrated
Max leaf length	3 m	3 m (MOOVI 30); 5 m (MOOVI50)
Opening/closing time	1,5 s + slow down	4 s (MOOVI 30); 8 s (MOOVI50)
Type of lock	mechanical closing/opening	mechanical closing/opening
Manual manoeuvre	fast release by means of a personalised key	fast release by means of a personalised key
Type of limit switches	electric, incorporated, adjustable	electric, incorporated, adjustable
Control unit	LEO MV(ric. rolling code 64 cod incorp.)	LEO MV(ric. rolling code 64 cod incorp.)
Environmental conditions	-10°C à +55°C	-10°C à +55°C
Degree of protection	IP 24	IP 24
Operator weight without the rod	360N (~36 kg)	360N (~36 kg)
Slow down	Adjustment	Adjustment
Control	by encoder	by encoder
Dimensions	See drawing	See drawing

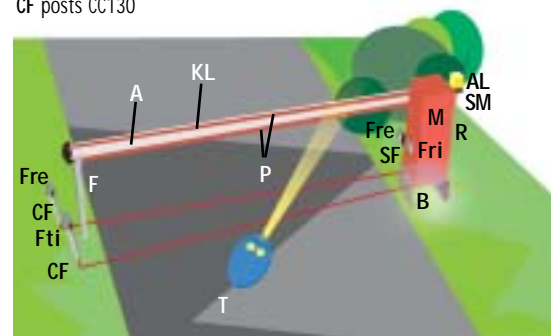
MIZAR BOM: control panel suitable for managing one operator with power up to 300 W provided with torque setting. 4-step logic with automatic and semi-automatic operation. A series of LEDs allows easy intervention in system checking. Universal connection for radio receiver. Removable type terminal bar to facilitate installation and any maintenance or replacement.

LEO MV: control panel suitable for managing one operator with power up to 300 W. 3 and 4-step logic with automatic and semi-automatic operation. Compatible with the EELINK protocol. Digital setting of parameters and logics. Displaying of values set by means of integrated multilingual display. Possibilité de régler l'espace de ralentissement avant l'arrivée en fin de course, en fermeture et ouverture. Resetting menu for original factory-set. Management of statistical parameters. Separate inputs for opening and closing. Separate inputs for photocell and edge safety devices. Clock input. Incorporated 433.92 MHz radio receiver, rolling code with 63 codes. Universal connection for radio receiver. Removable type terminal bar to facilitate installation and any maintenance or replacement.

Example of installation

M operator MOOVI 30 with incorporated control panel
 A boom ELL 3
 B anchor base CBO
 F support fork FAF
 R single channel rolling code receiver, CLONIX 1
 T double-channel rolling code transmitter, MITTO 2
 Ftx-Frx pair of photocells CELLULA130
 SF external photocell post kit
 KIT MOOVI 130
 CF posts CC130

AL blinker LAMPO PA with antenna SL433
 SM Wall-mounted support for blinkers SLM2
 KL lighting kit for 3 or 4.5 m booms
 KIT MOOVI LIGHT
 P Boom upper and lower profile casing
 MOOVI PCA



Accessories

MOOVI PCA (P): Boom upper and lower profile casing.

MOOVI GA: Moveable boom rest rod.

MOOVI GAMA: Moveable boom rest rod. Shock absorbing.

KIT MOOVI 130 (SF): External photocell post kit.

KIT MOOVI LIGHT (KL): Lighting kit for 3 or 4.5 m booms.

KIT MOOVI LIGHT 1 (KL): Lighting kit for 5 m.

KIT MOOVI PRM: Hand protection kit.

ELL3 (A): One-piece 3-m long boom.

ELL5 (A): One-piece 5-m long boom.

CBO (B): Anchor base.

FAF (F): Fixed bar rest fork.

MITTO 2 / MITTO 4: Double/four channel transmitter with rolling code coding.

CELLULA 130: Flat, self-aligning photocell receiver-transmitter set, external installation, range up to 30 m, power supply 24 Vac. Available for both horizontal and vertical fitting.

CC130: Pair of aluminium posts for CELLULA 130 photocells.

LAMPO PA, SL433: blinker LAMPO PA with antenna SL433

SLM2: Wall-mounted support for blinkers (10 pcs/package).

CLONIX: double-channel receiver with Rolling-Code coding. By means of the cloning process, transmitters can be replaced or added in the receiver memory via radio. Cloning can be carried out with TRC and MITTO Mod. transmitters.

For system composition and installation refer to the regulations in force in the country where the system is being installed. The indicated data are not binding. BFT reserves the right to make modifications without prior notice.